

## Product Description

The TT401 is a Leading-edge dimmable LED wireless receiver. **It can be paired with only circuits 1 and 2 (buttons 4 and 5) on the Taptile™ Bathroom Sensor.**

## Product Compatibility

The following lighting types **ARE NOT COMPATIBLE** with the TT401 LED Dimmers:

Non-dimmable LED Lighting,  
Dimmable Energy Saving CFL/ESL,  
G23,  
CLF,  
GU5.3,  
SLE-PRO,  
230V~ Incandescent and Halogen Based Lighting,  
Single Ended High Pressure Lamps,  
Low Voltage LED Driver Transformers.

Halogen Based Lighting,  
Fluorescent Lighting,  
Metal Halide High Pressure sodium,  
Linear/Compact Fluorescents,  
MR16,  
PLE-C Pro,

The TT401 LED Dimmers **ARE COMPATIBLE** with the vast majority of brands of the following LED lighting types:

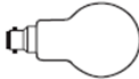


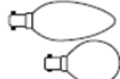
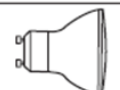
Mains Dimmable LED Lighting:

GU10	SES (Candle/Round)	GLS ES
E27/14	SBC (Candle/Round)	B22

Low Voltage Dimmable LED Inductive Transformers

MR16	GU5.3
------	-------

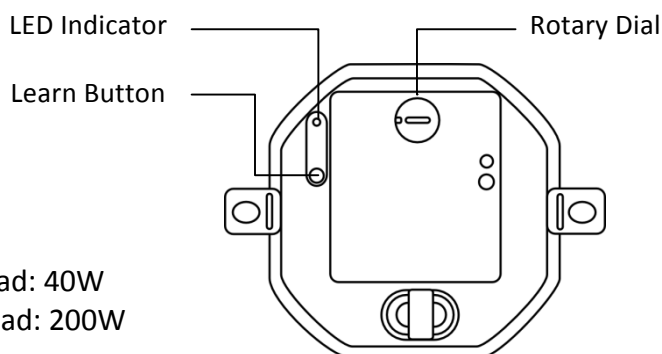
**\*Avoid mixing brands/models of LEDs on the same circuit\***

Mains Dimmable LED Lighting	Profile
GLS BC	
GLS ES	
SES Candle/Round	
SBC Candle/Round	
GU10	

## Product Specification

TT401 Wireless LED Dimmer:

Input: 220V-240V~ 50Hz  
LED Minimum Load: 3W  
LED Maximum Load: 24W  
Inductive Transformer Minimum Load: 40W  
Inductive Transformer Maximum Load: 200W  
Indoor Use Only  
Leading Edge Dimmer  
Frequency: 433.92MHz



**Not suitable for Dimmable energy saving lamps (CFL/ESL)**

**Warning: Never Exceed the Product Specification**

## INSTALLATION WARNING: BEFORE COMMENCING INSTALLATION ISOLATE YOUR MAINS ELECTRIC SUPPLY

Always read the instructions carefully before starting any installation and keep them for future reference. If you are in any doubt on the installation process, consult a qualified electrician.

This product should be installed in accordance with the relevant sections of the building regulations code, and the current edition of the IEE Wiring Regulations (BS 7671: Requirements for electrical installations) and appropriate statutory regulations.

**Do not** install ceiling receivers on lighting circuits used to supply other products such as extractor fans and shaver socket outlets.

**Do not** exceed the Wireless LED Dimmer's Maximum Power Rating of 24W.

As of 1st April 2004, new installations in the UK should be wired using the EU harmonised colours for the supply conductors:

New colours:

BROWN = Live

BLUE = Neutral

Earth = Yellow/Green

Old colours:

RED = Live

BLACK = Neutral

The old colours will cease from April 2006.

Electrical installations in bathrooms, kitchens, gardens, floor and heating systems, swimming pools, saunas and extra-low voltage lighting are classed as special installations and must be certified by an approved competent electrical contractor conforming to Part P, requirements of BS 7671:2001 and appropriate statutory regulations.

## Installation Notes

When installing TT401 Wireless LED Dimmers in an existing lighting circuit, conventional light switches should be disconnected and terminated as part of the installation

It is recommended that unused wiring connections should be re-terminated using a suitable junction box.

The Taptile™ Wireless LED Dimmer is designed to be connected to the existing permanently live lighting circuit between a convenient junction box and the light fitting.

Any existing switches currently controlling the light fitting should be disconnected and appropriately terminated.

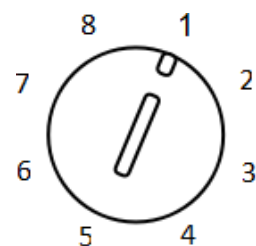
Lighting circuits supplying Ceiling Receivers should always be protected by a 5 Amp rewire-able fuse or equivalent Miniature Circuit Breaker (MCB) located in the Consumer Unit. Under no circumstances should any protection devices with higher ratings be used.

\*\* Wireless Inline Dimmers are not designed to be used with loop-in/loop-out wiring, a suitable junction box needs to be used if it's necessary to connect the supply to further fittings; the Taptile™ Sensor is designed for permanent installation. The TT401 Wireless Inline Dimmers are designed to be mounted inside a suitable enclosed housing, which are dry and adequately ventilated (indoor use). For outdoor use a suitable IP56 enclosure must be used. The Wireless Inline Dimmer is designed to be maintenance free, but where possible access should be available when needed.

Once connected to the lighting, if one of the LEDs is flickering or always off, adjust the rotary dial until functioning correctly:

### Using the Rotary Dial:

1. Connect all loads first.
2. Turn the rotary dial to position 1. The lighting load will turn on.
3. Turn the rotary dial one position at a time from 1 to 8 by until the LED stops flickering/turns on.
4. Leave the rotary dial in this position.



**\*Avoid mixing brands/models of LEDs on the same circuit\***


You will now need to pair the TT401 with the Taptile™ Sensor

Please refer to your Taptile™ installation manual for the pairing procedure  
**If in any doubt consult a qualified Electrician**

### WARNING:

Before installing the Taptile™ Wireless Inline Dimmers, isolate the circuit at the fuse/MCB board.

Connect the supply Live and Neutral conductors to the Receiver terminals marked L and N SUPPLY.

Connect the cable from the light fitting to the Receiver terminals marked L (  ) and N (Neutral).

For earth continuity the supply and load Earth conductors must be terminated externally using a suitably insulated terminal block.

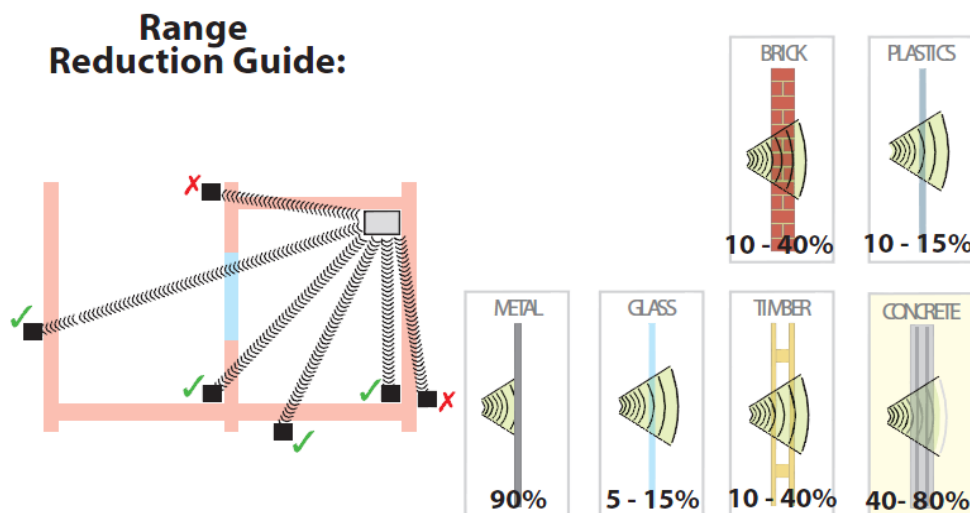
## Interference

Occasionally interference from receiver sockets plugged into adjacent wall sockets or when used with transformers (low voltage products) can affect the operating range.

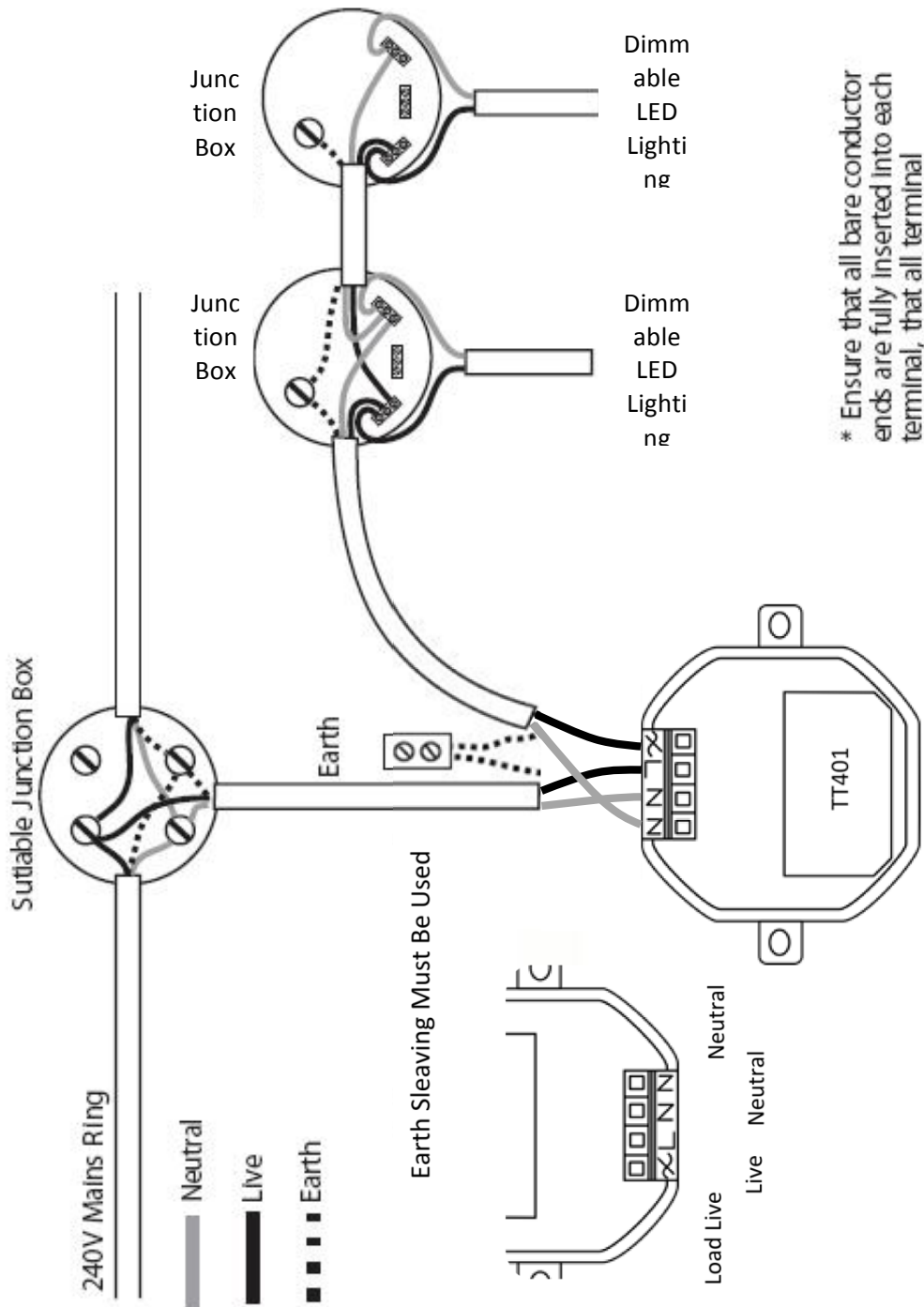
Try placing one of the receiver sockets in another wall socket. For low voltage products the transformer should be sited as far away from the receiver socket as possible.

## RF Range

The radio signals operating distance is reduced when the signal has to pass through walls or ceiling. The radio signals will reduce significantly with foil coated ceilings, or metallic-coated loft insulation. Please consider placement, and allow for potential movement if radio reception is an issue.

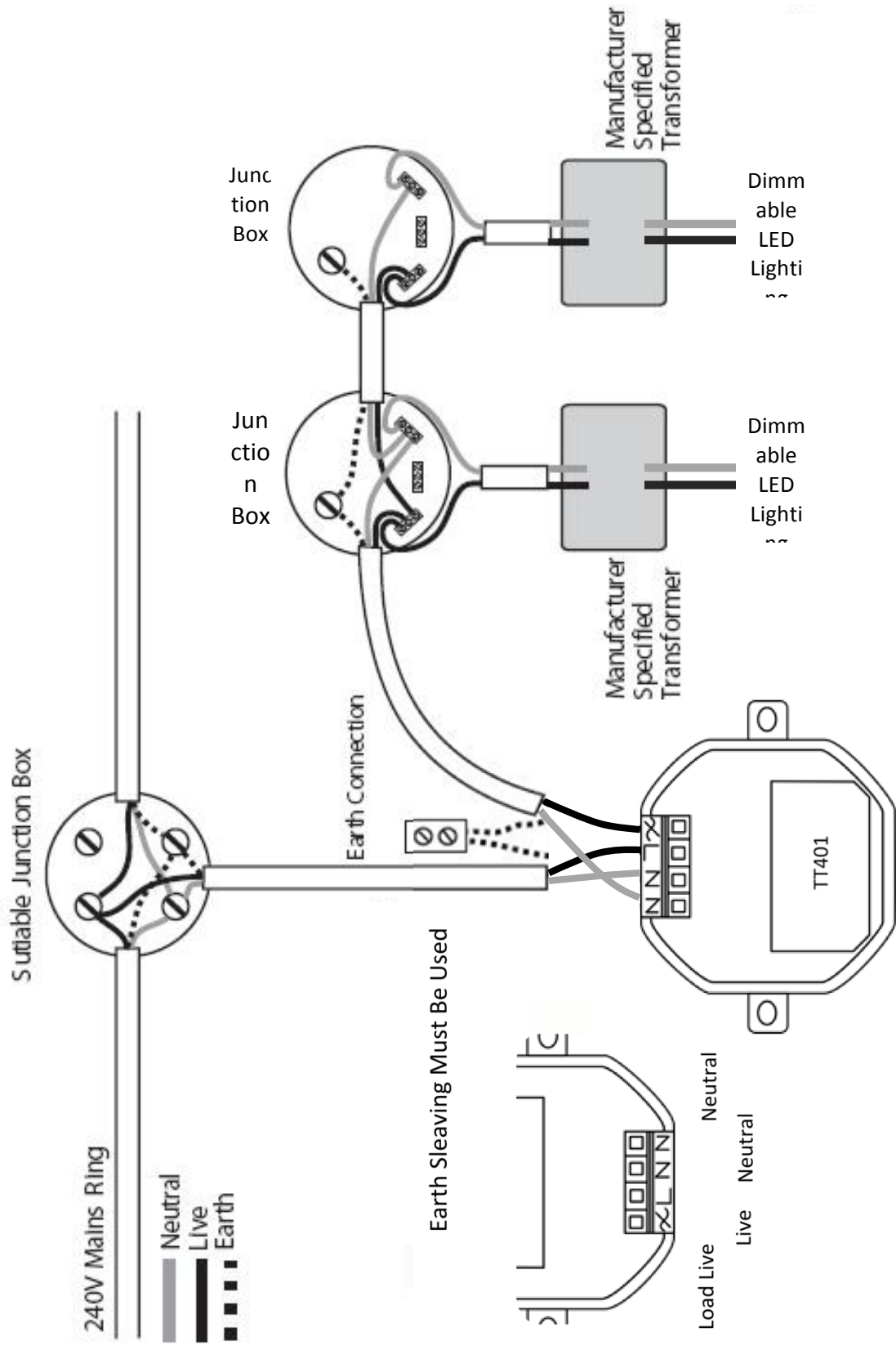


Please refer to the following diagrams for typical installations:



\* Ensure that all bare conductor ends are fully inserted into each terminal, that all terminal

\* All Earth conductors must be suitably sleeved with Green/Yellow



\* All Earth conductors must be suitably sleeved with Green/Yellow

# Warranty

Taptile and Taptile Controls are registered trademarks of GPEG International Ltd.

All Taptile products are fully CE compliant and accredited by Intertek Ltd.

All products in the Taptile range come with a fixed two (2) year warranty from date of purchase.

During the period of the warranty, GPEG International Ltd will arrange for the faulty parts to be repaired or (at our discretion) replaced. Any faulty parts must be returned with proof of purchase to the place of purchase for exchange.

The Taptile system has been ingeniously designed to ensure that, so long as the installation guide is followed, all parts should be serviceable and the Taptile sensor itself can be easily replaced by the removal of only one tile keeping any remedial costs to a minimum.

GPEG shall not be responsible for:-

- Damage or repairs required as a consequence of faulty installation or application
- Damage as a result of floods, fires, winds, lightning, accidents, corrosive environment or other conditions beyond the control of GPEG
- Use of components, fittings or accessories not compatible with the Taptile Sensor
- Products installed outside of the United Kingdom
- Damage caused by installation outside of that detailed in the installation and operating manual
- Damage or incorrect operation caused by parts not supplied or designated by GPEG
- Damage or repairs required as a result of any improper use, maintenance, operation or servicing
- Incorrect operation of damage to parts caused by out of specification or unstable electrical supply
- Damage caused through lack of protection by an RCD at all times
- Changes in the appearance of the product that does not affect its performance
- Incidental or consequential damages, including, but not limited to extra utility expenses or damages to property and interiors.

The cost of repair or replacement of the product is your only remedy under this Warranty which does not affect your statutory rights. Such cost does not extend to any cost other than the direct cost of repair or replacement by GPEG and does not extend to the costs associated with retiling, rewiring, plastering or any other remedial work.