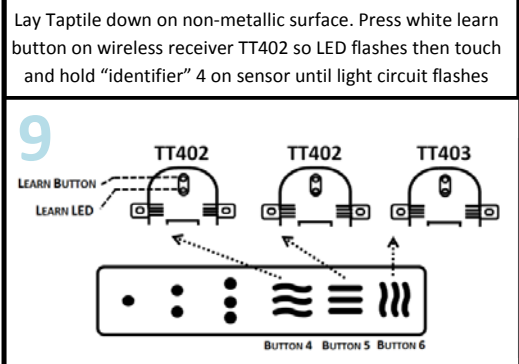
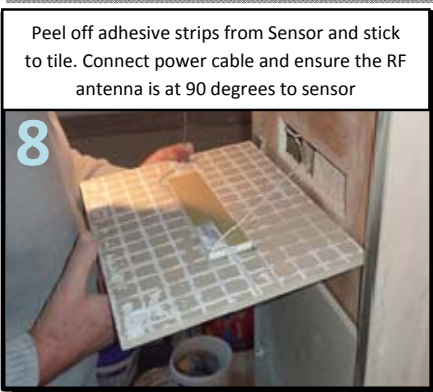
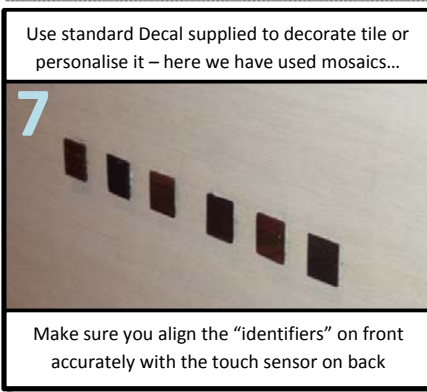
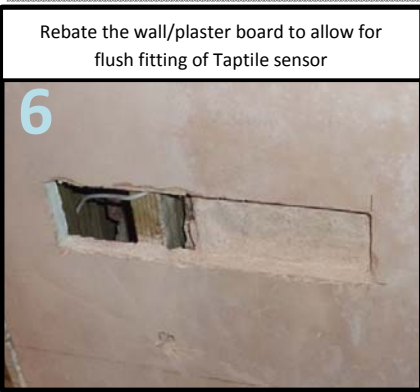
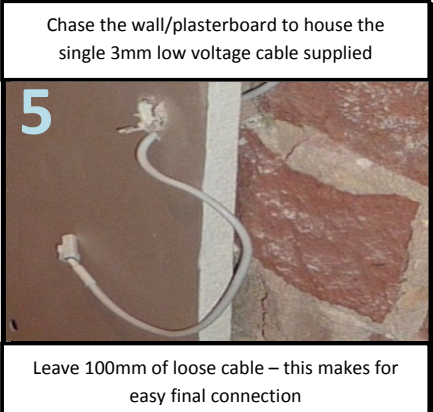
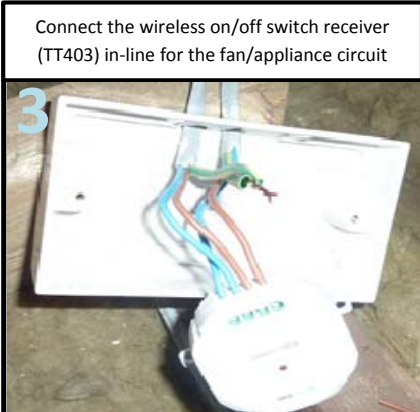
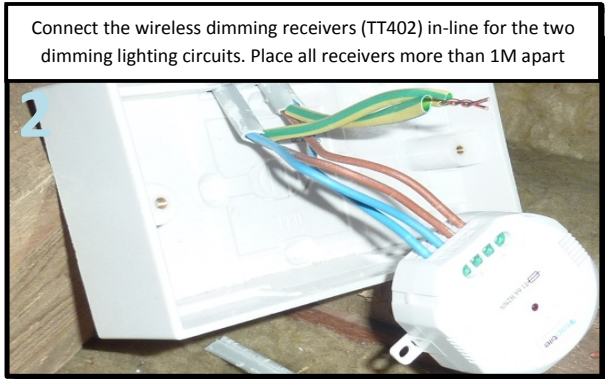
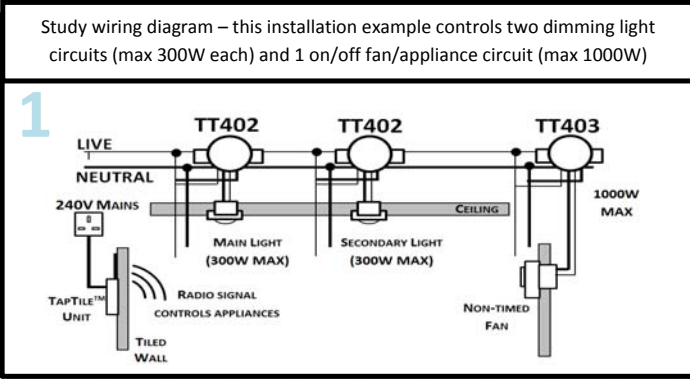


INSTALLING TAPTILE IS AS SIMPLE AS 1,2,3...



Repeat this for secondary lighting receiver to "identifier" 5 and then fan/appliance receiver to "identifier" 6.
IMPORTANT - TEST TAPTILE BEFORE MOVING TO STEP 10

Tile wall with usual cement but use silicone adhesive on the Taptile tile, offer it up to the wall & fix in place

